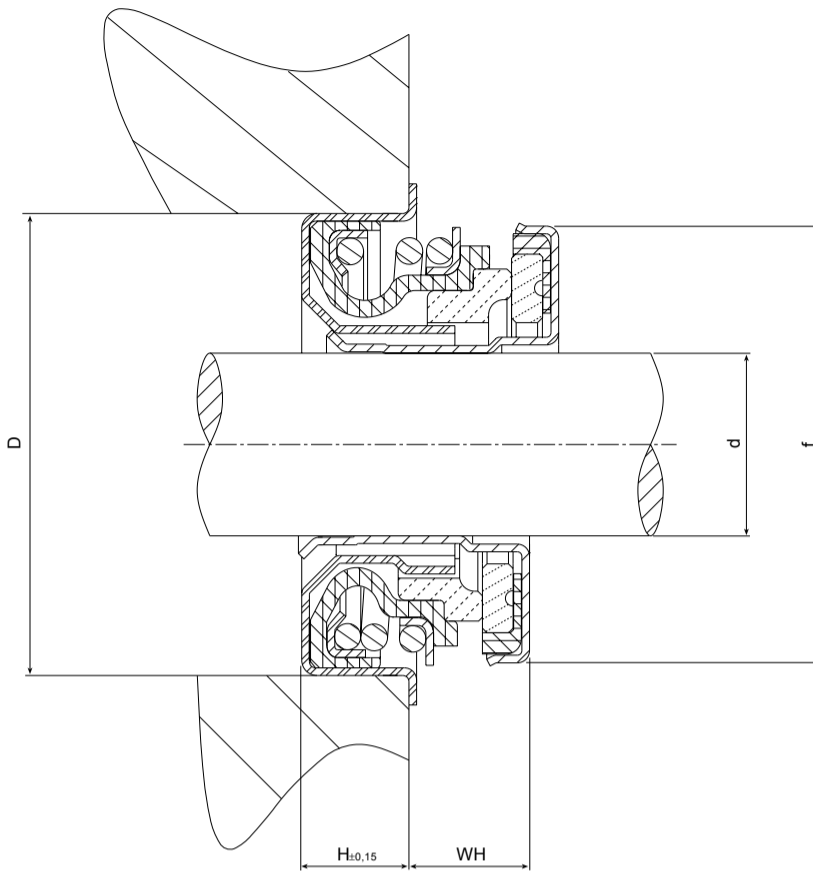


UH series



Operational limits - Standard components - DIN 24960

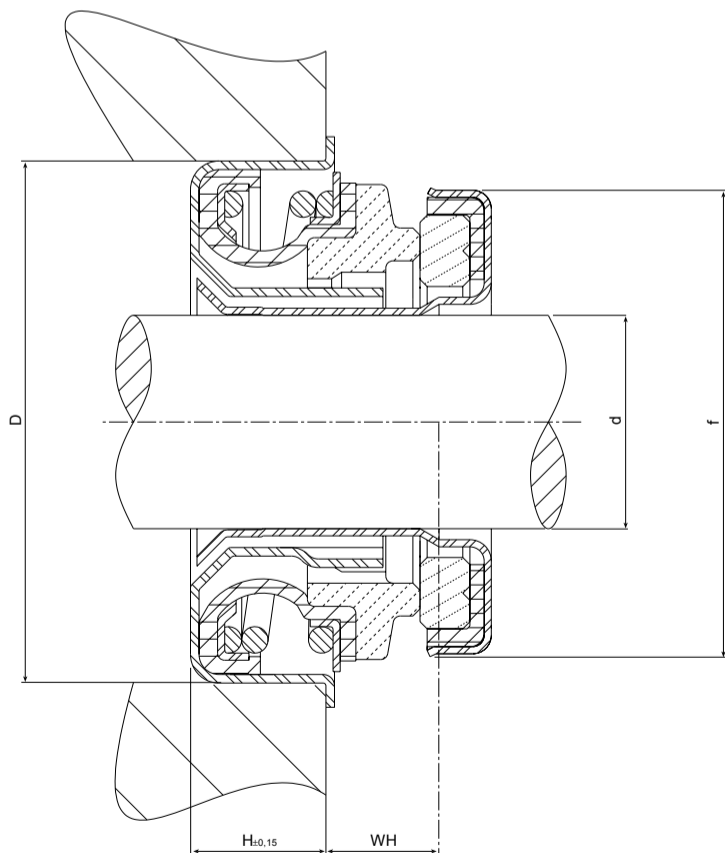
| | |
|---|------------|
| P | 4 bar |
| V | 12 m/s |
| T | -35 +150°C |

| | | | | |
|-------------------|----|----|---|---|
| Metal parts | F1 | F1 | - | - |
| Spring | F | - | - | - |
| Elastomeric parts | P4 | - | - | - |
| Primary Ring | V | Q | - | - |
| Mating Ring | C | - | - | - |



| Type | | Description | | d | D | WH | H | f |
|------|------|-------------|------|-------------|-------|-----------|-----|-----------|
| UH-7 | 10 | 30,05 | 5,21 | 9,987÷10,0 | 30,05 | 5,21±0,13 | 8,5 | 23,5±0,13 |
| UH-2 | 12 | 30,05 | 7,7 | 11,96÷12,09 | 30,05 | 7,7±0,1 | 7 | 29,0±0,3 |
| UH-2 | 12,7 | 30,05 | 7,7 | 12,66÷12,79 | 30,05 | 7,7±0,1 | 7 | 29,0±0,3 |

UHH series



Operational limits - Standard components - DIN 24960

| | |
|---|------------|
| P | 4 bar |
| V | 12 m/s |
| T | -35 +150°C |

| | | | | |
|-------------------|----|----|---|---|
| Metal parts | F1 | F8 | - | - |
| Spring | F | D | - | - |
| Elastomeric parts | P | P4 | - | - |
| Primary Ring | V | - | - | - |
| Mating Ring | B | C | - | - |



| Type | | Description | | d | D | WH | H | f |
|--------|----|-------------|------|-------------|---------------|----------|-----|----------|
| UHH-1a | 15 | 36,6 | 11,2 | 14,98÷15,02 | 36,449÷36,474 | 11,2±0,2 | 8,2 | 32,5±0,2 |
| UHH-2a | 16 | 36,6 | 11,2 | 15,90÷16 | 36,449÷36,474 | 11,2±0,2 | 8,2 | 32,5±0,2 |
| UHH-4 | 15 | 38 | 11,2 | 14,98÷15,02 | 38,05 | 11,2±0,2 | 8,2 | 32,5±0,2 |
| UHH-5 | 16 | 38 | 11,2 | 15,90÷16 | 38,05 | 11,2±0,2 | 8,2 | 32,5±0,2 |