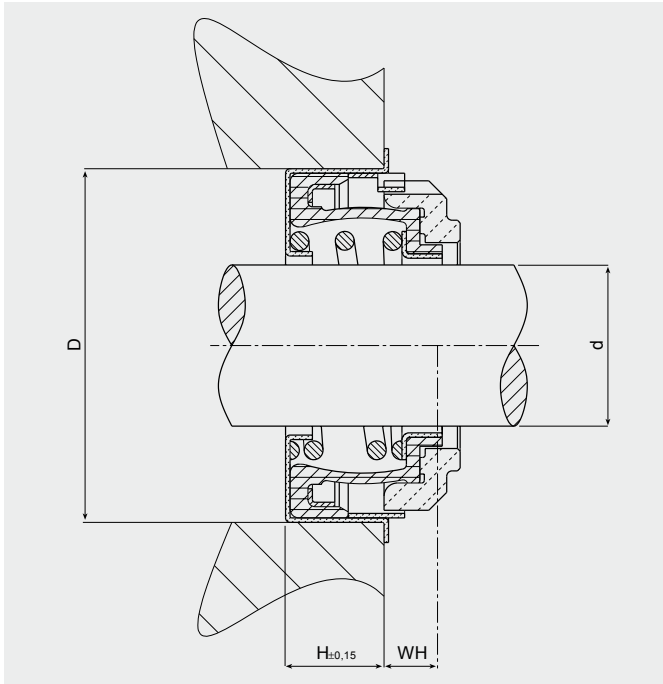


L series



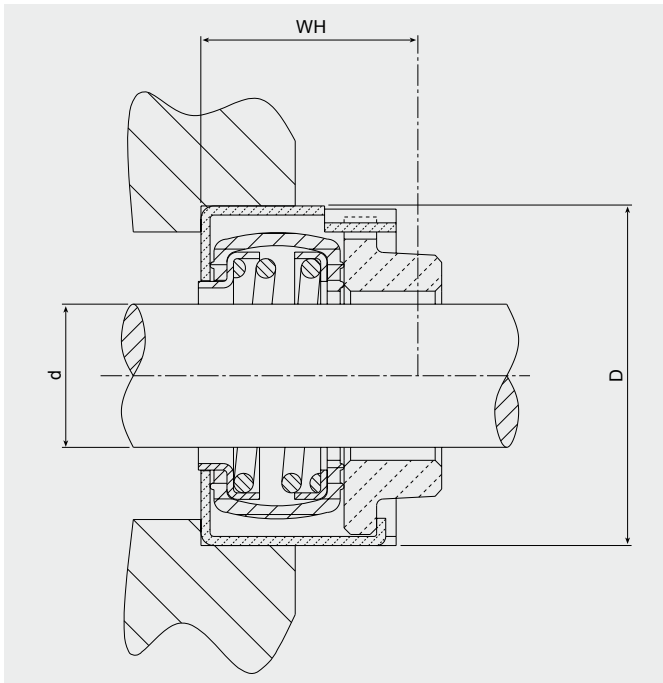
M - MTU code: initial installation
A - Alternative code: initial installation

Operational limits				
P	4 bar			
V	12 m/s			
T	-35 +120°C			
Standard components - DIN 24960				
Metal parts	T1	-	-	-
Spring	F	-	-	-
Elastomeric parts	P	-	-	-
Primary Ring	B	-	-	-
Mating Ring	-	-	-	-



Type	Description			d	D	WH	H
L-1	20	40,1	6,5	19	39,90+40,03	6,5	11

T1 series



M - MTU code: initial installation
A - Alternative code: initial installation

Operational limits				
P	4 bar			
V	12 m/s			
T	-35 +120°C			
Standard components - DIN 24960				
Metal parts	T1	-	-	-
Spring	D	-	-	-
Elastomeric parts	P	-	-	-
Primary Ring	B	-	-	-
Mating Ring	-	-	-	-



Type	Description			d	D	WH	M	A
T1-3	16	36,6	15,5	16	36,449+36,474	15,5±0,4	4300391 7300032	4138766 4138765